

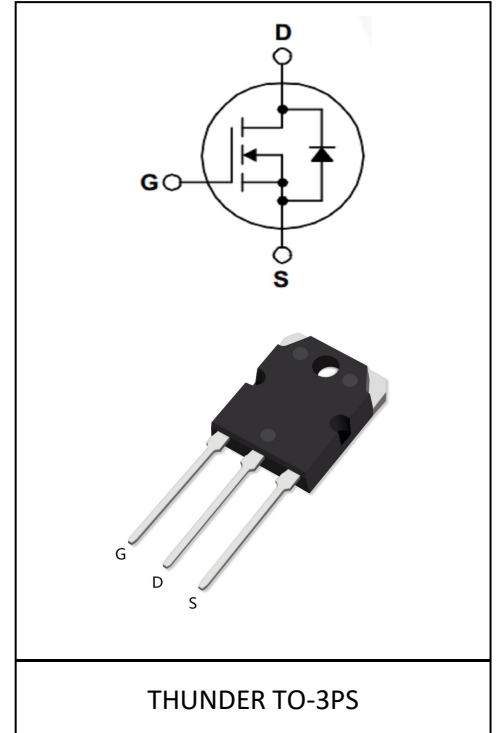
Silicon N-Channel Planar Power MOSFET

Description

The 2SK4107 utilizes the latest processing techniques to achieve low on-resistance per silicon area. Additional features of this MOSFET are 150°C operating junction temperature and high repetitive peak current capability. These features combine to make this MOSFET a highly efficient, robust and reliable device for PDP driving applications. It can be used in a wide variety of applications.

General Features

- $V_{DS}=500V, I_D=15A$
- Low ON Resistance, $R_{DS(ON)}=0.28\Omega @ V_{GS}=10V, I_D=7.5A$
- Low reverse transfer capacitance
- Low Qg for fast response
- Short fall & rise times for fast switching
- 100% single pulse avalanche energy Test



Application

Switching Regulator Applications

Product Summary

V_{DS}	500V
$R_{DS(on)}$	0.28 Ω
I_D	15A

Absolute Maximum Ratings

Parameter	Symbol	Value	Unit
Drain-source voltage	V_{DS}	500	V
Continuous drain current $T_C = 25^\circ C$ (Silicon limit)	I_D	15	A
Pulsed drain current ($T_C = 25^\circ C$, t_p limited by T_{jmax})	I_{DM}	60	A
Avalanche energy, single pulse ($L=10mH$, $R_g=25\Omega$)	E_{AS}	1360	mJ
Gate-Source voltage	V_{GS}	± 30	V
Power dissipation ($T_C = 25^\circ C$)	P_D	170	W
Operating junction and storage temperature	T_j, T_{stg}	-55...+150	$^\circ C$

Thermal Resistance

Parameter	Symbol	Max	Unit
Thermal resistance, junction – case.	R_{thJC}	0.73	°C/W
Thermal resistance, junction – ambient(min. footprint)	R_{thJA}	40	

Electrical Characteristic (at $T_j = 25\text{ }^\circ\text{C}$, unless otherwise specified)

Parameter	Symbol	Value			Unit	Test Condition
		min.	typ.	max.		

Static Characteristic

Drain-source breakdown voltage	BV_{DSS}	500	-	-	V	$V_G=0V, I_D=250\mu A$
Gate threshold voltage	$V_{GS(th)}$	2.0	-	4.0	V	$V_{DS}=V_{GS}, I_D=250\mu A$
Zero gate voltage drain current	I_{DSS}	-	-	1	μA	$V_{DS}=500V, V_{GS}=0V$ $T_j=25^\circ C$
		-	-	10	μA	$V_{DS}=400V, V_{GS}=0V$ $T_j=125^\circ C$
Gate-source leakage current	I_{GSS}	-	-	± 100	nA	$V_{GS}=\pm 30V, V_{DS}=0V$
Drain-source on-state resistance	$R_{DS(on)}$	-	0.28	0.36	Ω	$V_{GS}=10V, I_D=7.5A$
Transconductance	g_{fs}	-	23	-	S	$V_{DS}=40V, I_D=7.5A$

Dynamic Characteristic

Input Capacitance	C_{iss}	-	3110	-	pF	$V_{GS}=0V, V_{DS}=25V,$ $f=1MHz$
Output Capacitance	C_{oss}	-	230	-		
Reverse Transfer Capacitance	C_{rss}	-	2.8	-		
Gate Total Charge	Q_g	-	33	-	nC	$V_{GS}=10V, V_{DS}=400V,$ $I_D=15A$
Gate-Source charge	Q_{gs}	-	8.6	-		
Gate-Drain charge	Q_{gd}	-	15	-		
Turn-on delay time	$t_{d(on)}$	-	42	-	ns	$V_{DD}=250V, I_D=15A,$ $R_G=25\Omega$
Rise time	t_r	-	155	-		
Turn-off delay time	$t_{d(off)}$	-	68	-		
Fall time	t_f	-	85	-		
Gate resistance	R_G	-	0.95	-	Ω	$V_{GS}=0V, V_{DS}=0V,$ $f=1MHz$

Body Diode Characteristic

Parameter	Symbol	Value			Unit	Test Condition
		min.	typ.	max.		
Body Diode Forward Voltage	V_{SD}	-	-	1.4	V	$V_{GS}=0V, I_{DS}=15A$
Body Diode Continuous Forward Current	I_S	-	-	15	A	$T_C=25^\circ C$
Body Diode Reverse Recovery Time	t_{rr}	-	492	-	ns	$T_C=25^\circ C, I_S=15A,$ $di/dt=100A/us$
Body Diode Reverse Recovery Charge	Q_{rr}	-	5.2	-	μC	

Typical Performance Characteristics

Fig 1: Output Characteristics

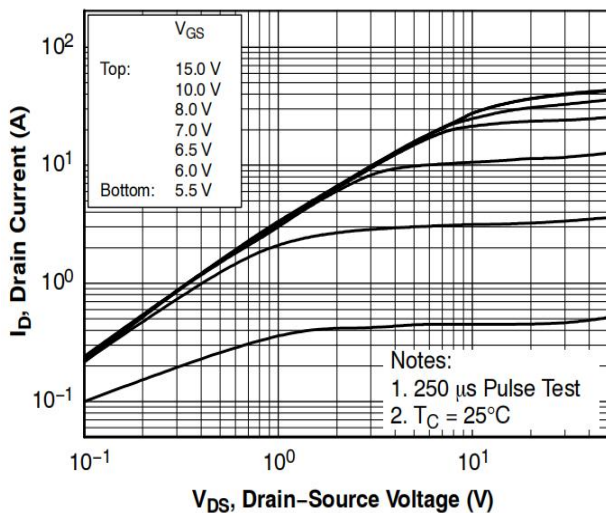


Fig 2: Transfer Characteristics

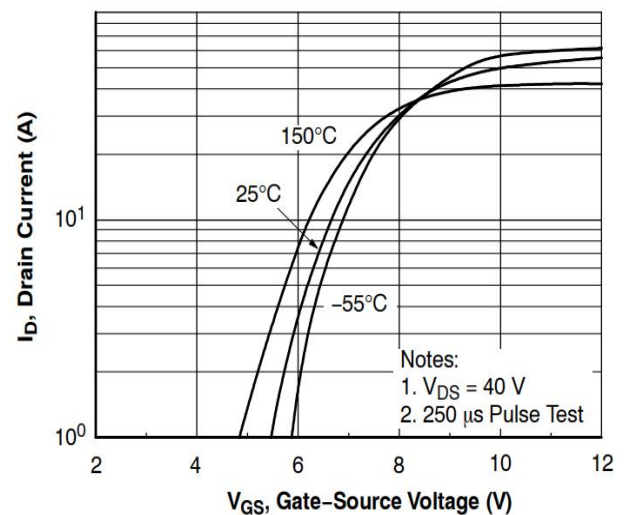


Fig 3: $R_{DS(on)}$ vs Drain Current and Gate Voltage

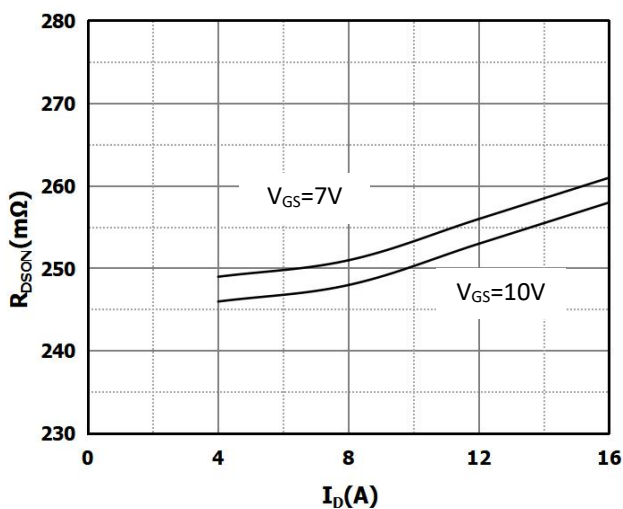


Fig 4: $R_{DS(on)}$ vs Gate Voltage

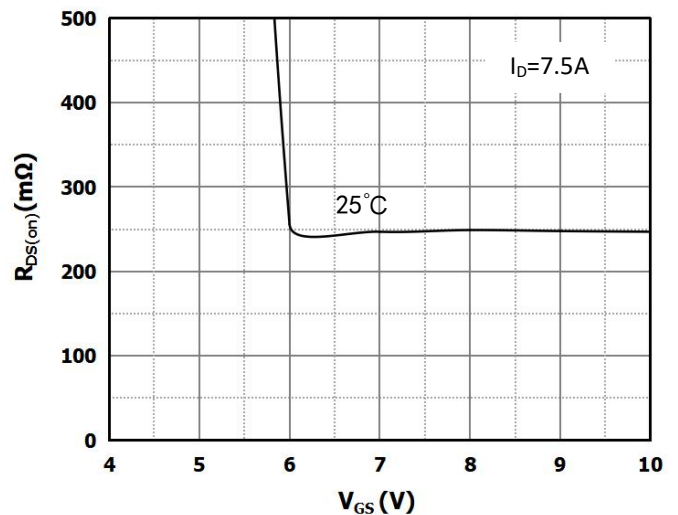


Fig 5: Rds(on) vs. Temperature

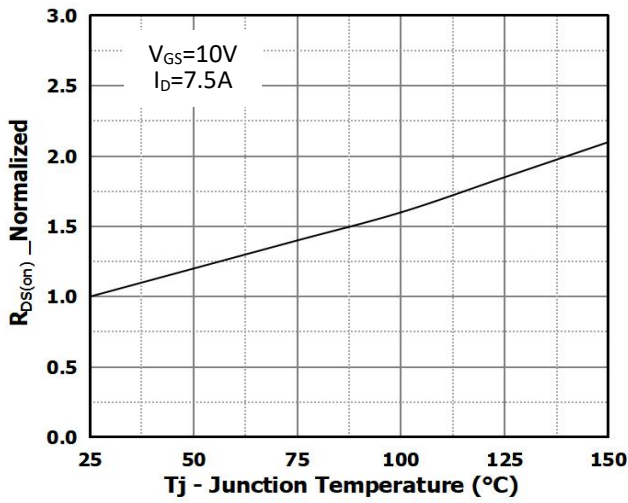


Fig 6: Capacitance Characteristics

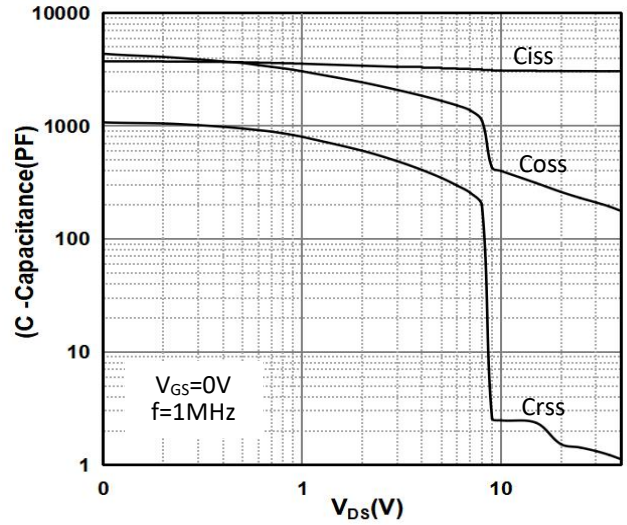


Fig 7: Gate Charge Characteristics

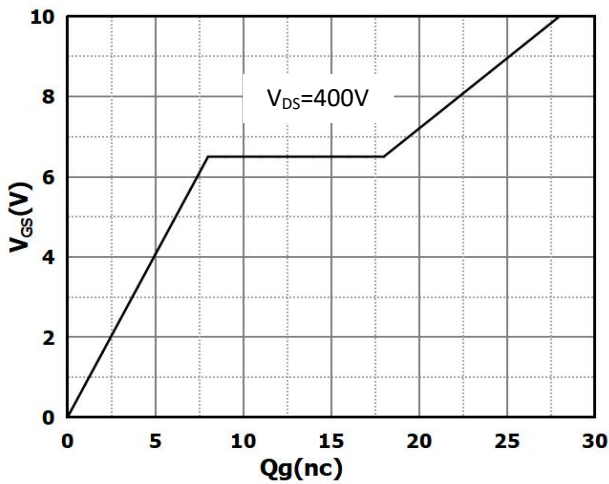


Fig 8: Body-diode Forward Characteristics

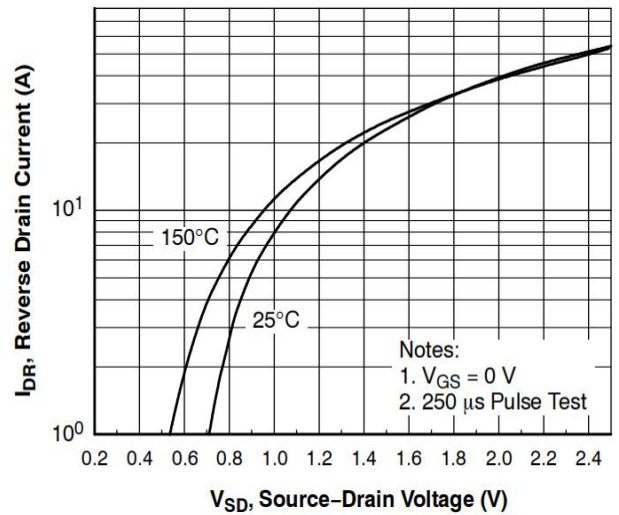


Fig 9: Power Dissipation

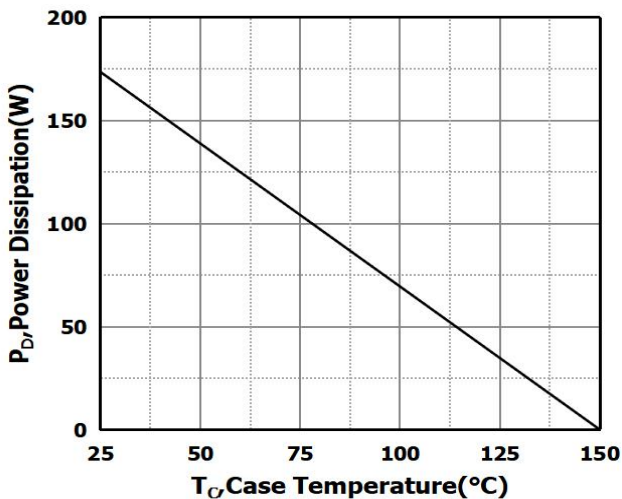


Fig 10: Drain Current Derating

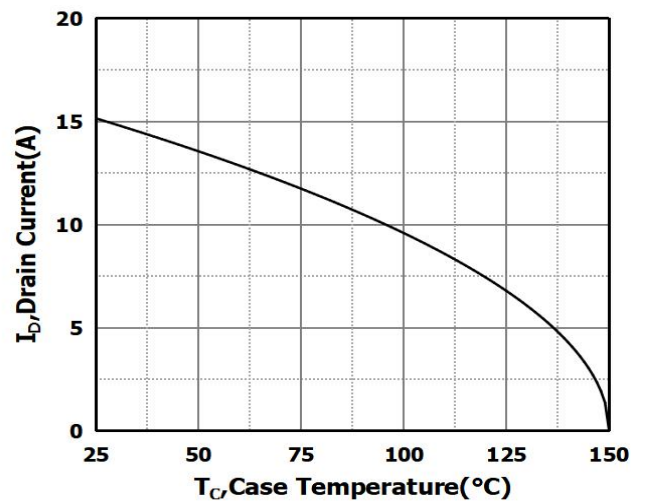


Fig 11: Safe Operating Area

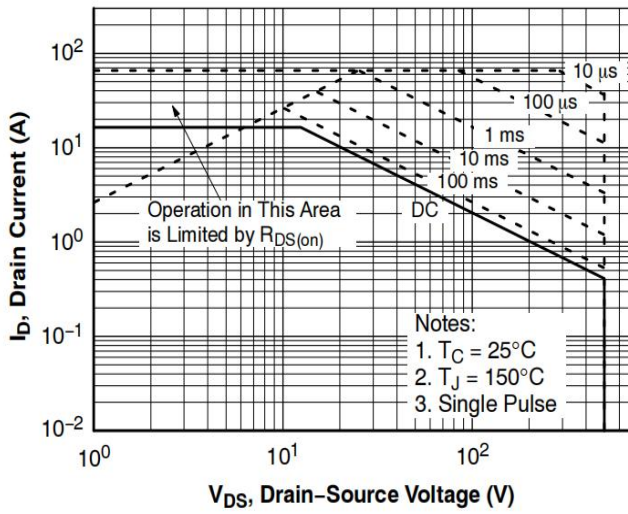
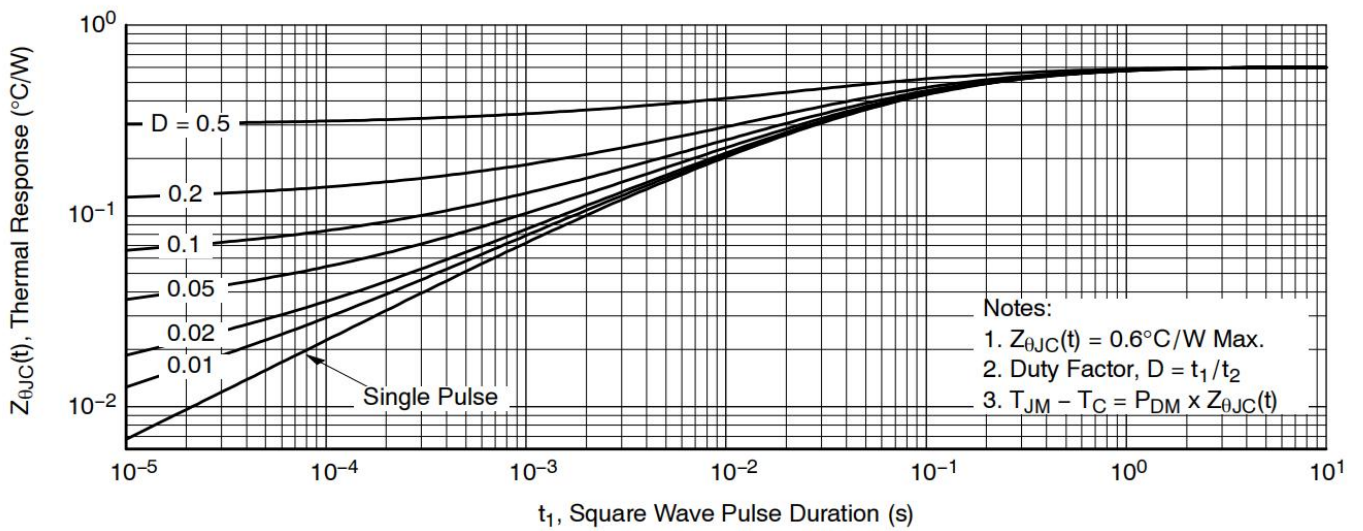
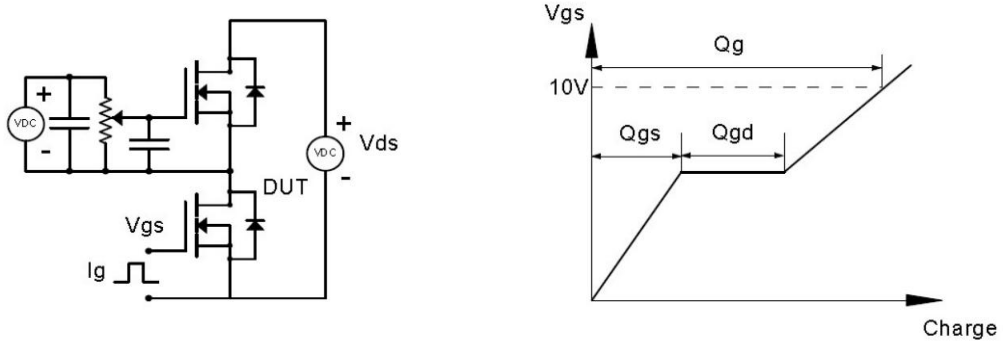


Fig 12: Max. Transient Thermal Impedance

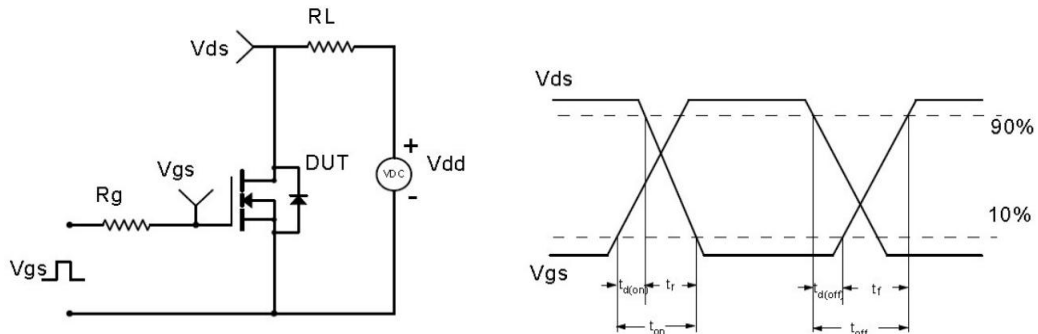


Test Circuit & Waveform

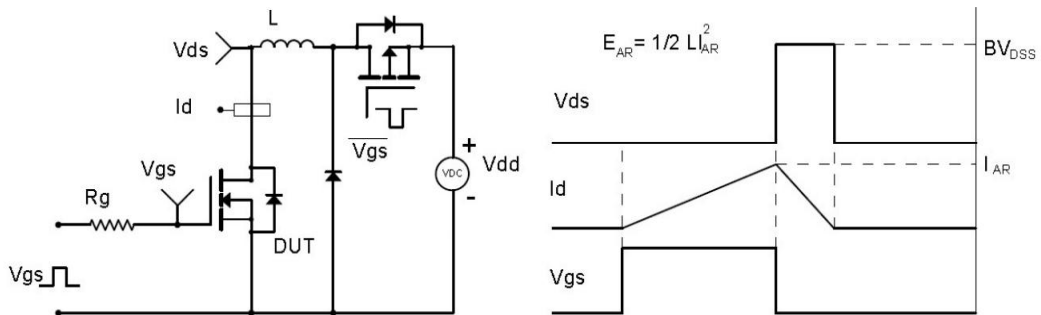
Gate Charge Test Circuit & Waveform



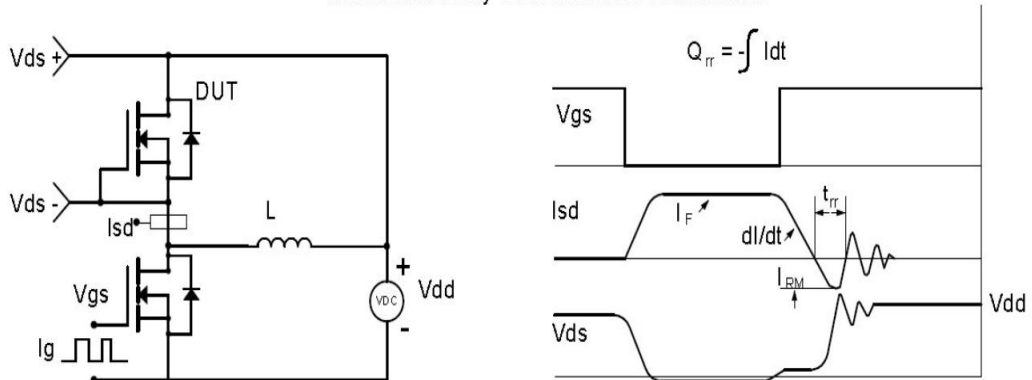
Resistive Switching Test Circuit & Waveforms



Unclamped Inductive Switching (UIS) Test Circuit & Waveforms



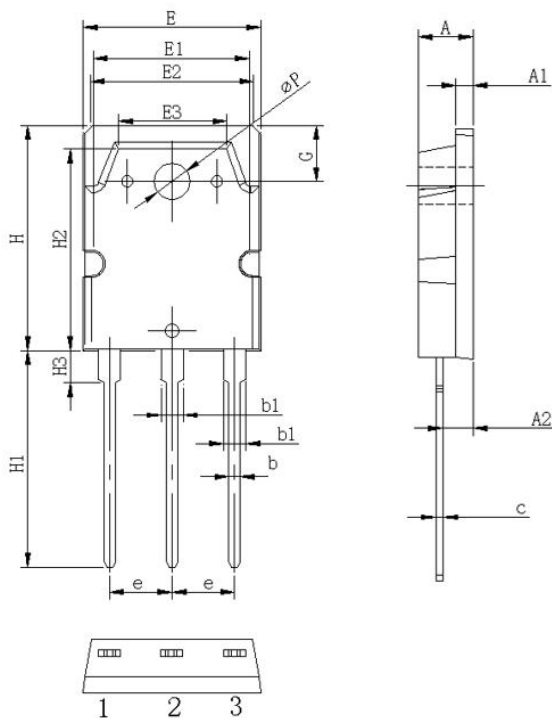
Diode Recovery Test Circuit & Waveforms



Package Information

TO-3PS PACKAGE

基本尺寸



Symbol	单位 mm		
	Min	Nom	Max
A	4.3	4.5	4.7
A1	1.3	1.5	1.7
A2	2.60	2.8	2.80
b	0.80	1.0	1.20
b1	1.90	2.10	2.30
c	0.50	0.60	0.70
e	5.25	5.45	5.65
E	15.2	15.6	16.0
E1	12.8	13.0	13.2
E2	13.0	13.2	13.4
E3	9.0	9.2	9.4
H	19.6	20.0	20.4
H1	19.5	20.5	21.5
H2	18.5	18.7	18.9
H3	2.6	3.0	3.4
G	4.3	4.5	4.7
ΦP	3.20	3.40	3.60

Notice

Thunder Microelectronics Incorporated Limited reserves the right to make changes without further notice to any products or specifications herein. When use the product, be sure to obtain the latest specification.

Thunder Microelectronics Incorporated Limited does not assume any liability arising out of the application or any product described herein. When using Thunder Microelectronics Incorporated Limited products in your equipment, you are requested to take adequate safety measures to prevent the equipment from causing a physical injury ,fire or other problem if any of the products become faulty.

-Headquarters

WuXi Thunder Microelectronics Incorporated Limited
 Building E1-901, No.200 LingHu Road, XinWu district,WuXi,China 214135
 Tel:+86-510-85160109 Fax:+86-510-85160109